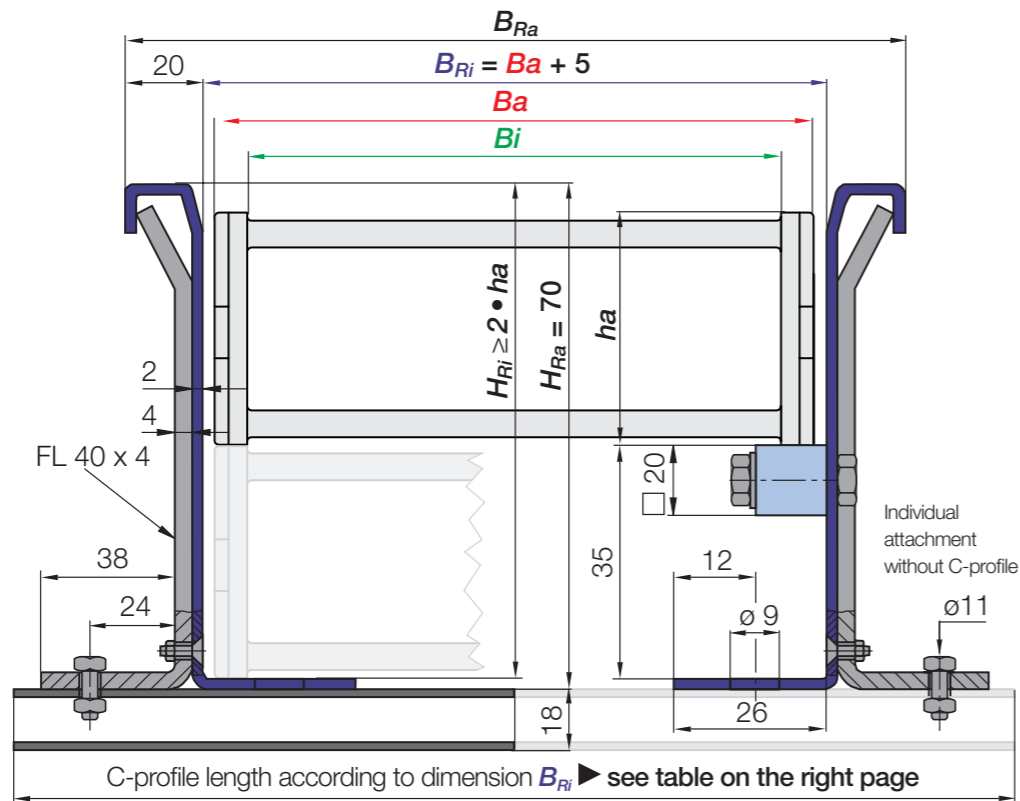
 For the following igus® series

- E2.1**
- E2.26
- E2/000**
- 2500
- 255
- E6.1**
- EF61.29/E61.29
- E6**
- E6.29/R6.29

Note: The inner width of the guide trough and the C-profile length of the installation set can differ according to the mounting bracket you choose. Please call us.



Steel guide trough | Full set

Trough side parts	Part No.	Weight
Trough side part, without glide bar, 2m section	92.30.E ¹⁾ / E44 ²⁾ / E45 ³⁾	≈ 3.80kg
Trough side part, with glide bar, bolted, 2m section	92.31.E ¹⁾ / E44 ²⁾ / E45 ³⁾	≈ 4.80kg
Installation sets	Part No.	Weight
1 installation set without C-profile	92.50	≈ 0.34kg
1 installation set with C-profile (C-profile length according to dimension B_{Ri})	92.50.XXX*	upon request

*Please add the C-profile length **XXX** as shown on the tables on the right page. Example: 92.50.200

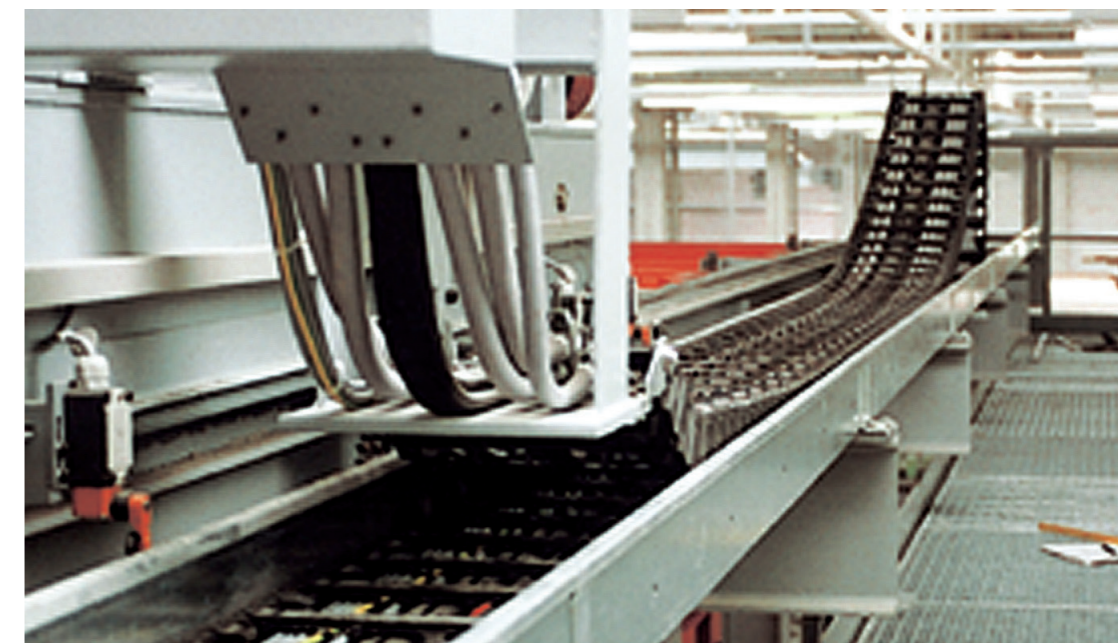
Steel guide trough | Components as individual parts

Individual parts, trough	Part No.	Weight
1 trough side part, individual, 2m section	92.11.E ¹⁾ / E44 ²⁾ / E45 ³⁾	≈ 3.80kg
1 glide bar, plastic, individual, 2m section	92.01	≈ 0.75kg
1 glide bar, individual, 2m section + 11 screw sets	92.20	≈ 0.98kg
1 package with 11 screw sets (for glide bar, 2m section)	92.21	≈ 0.23kg
Individual parts, installation set	Part No.	Weight
1 clamping bracket, individual	92.51	≈ 0.12kg
1 countersunk-head screw, individual	92.53 / M6 x 14	
1 hexagon nut, individual	92.54 / M6	
1 hexagon-head screw, individual	92.55 / M10 x 16	
1 glide nut, individual	92.56 / M10	
1 C-profile, individual (C-profile length according to dimension B_{Ri})	92.52.XXX*.E ¹⁾	≈ 0.90kg/m
Additional option for simple fixing of the e-chain® without drilling	Part No.	Weight
1 set fixed end module (more information ► Page 1240)	92.80.01*	≈ 7.60kg

*Please add the C-profile length **XXX** as shown on the tables on the right page. Example: 92.52.200.E

1) Trough side parts + C-profile - also available in 304 stainless steel, material 1.4301 (AISI 304). Please add index **E** to the Part No.
 2) Trough side parts - also available in 316 stainless steel, material 1.4404 (AISI 316L). Please add index **E44** to the Part No.
 3) Trough side parts - also available in 316 stainless steel, material 1.4571 (AISI 316Ti). Please add index **E45** to the Part No.

E2.26			2500			255			EF61.29/E61.29			E6.29/R6.29		
Width index	B_{Ri} [mm]	Part No. Installation set	Width index	B_{Ri} [mm]	Part No. Installation set	Width index	B_{Ri} [mm]	Part No. Installation set	Width index	B_{Ri} [mm]	Part No. Installation set	Width index	B_{Ri} [mm]	Part No. Installation set
.025	46	upon request	.02	46	upon request	.03	59	upon request	.030	49	upon request	.030	51	upon request
.038	59	upon request	.03	59	upon request	.05	78	92.50.200	.040	59	upon request	.040	61	upon request
.057	78	92.50.200	.05	78	92.50.200	.07	98	92.50.225	.050	69	92.50.200	.050	71	92.50.200
.077	98	92.50.225	.07	98	92.50.225	.10	124	92.50.250	.060	79	92.50.200	.060	81	92.50.200
.089	110	92.50.225	.09	110	92.50.225				.070	89	92.50.200	.070	91	92.50.200
.103	124	92.50.250	.10	124	92.50.250				.080	99	92.50.225	.080	101	92.50.225
.125	146	92.50.275	.12	146	92.50.275				.090	109	92.50.225	.090	111	92.50.225
									.100	119	92.50.250	.100	121	92.50.250
									.110	129	92.50.250	.110	131	92.50.250
									.120	139	92.50.250	.120	141	92.50.250
									.140	159	92.50.275			



igus® steel guide trough in use